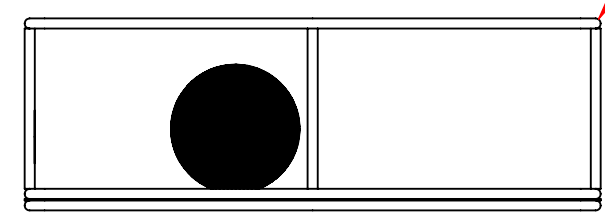
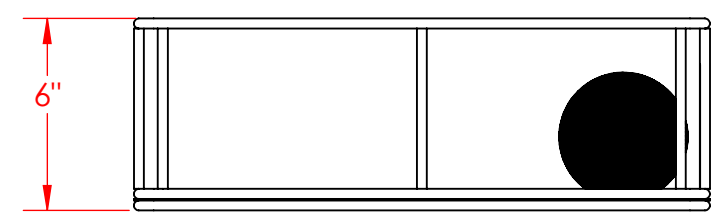
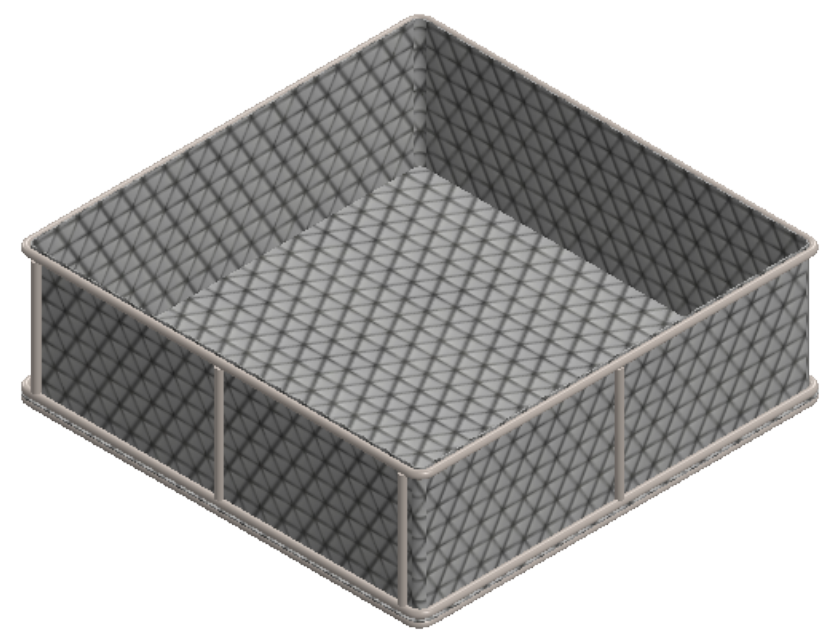
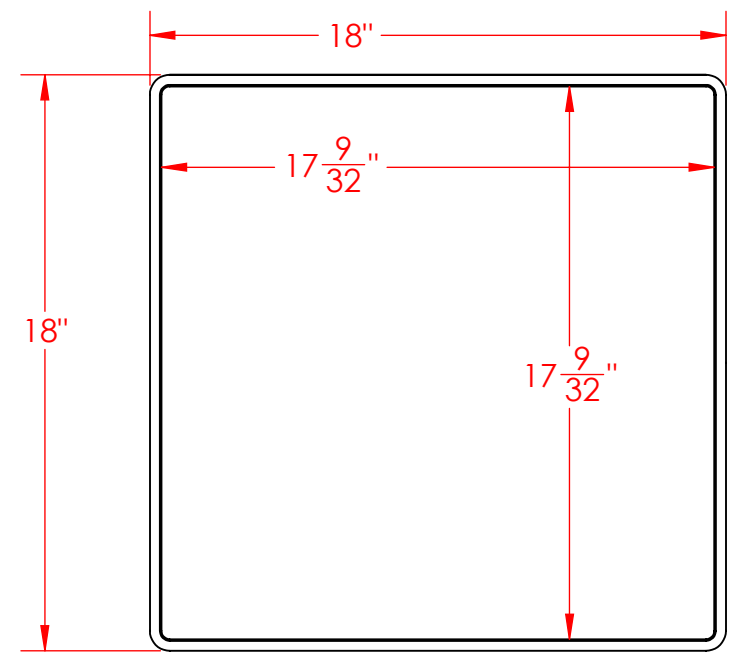
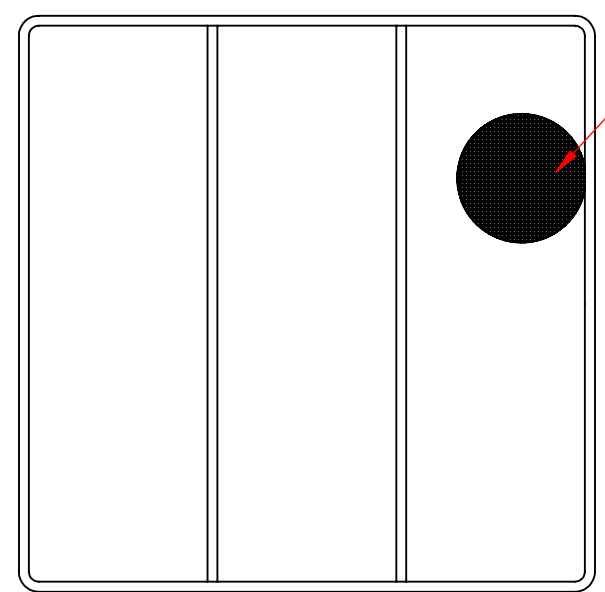


8 7 6 5 4 3 2 1

D
C
B
A



$\phi \frac{5}{16}$ "
Rod Frame



Lined Bottom and Sides with
8 Mesh x .047" Woven Wire
(.078" Openings, 39% Open Area)

UNLESS OTHERWISE SPECIFIED:
DIMENSIONS ARE IN INCHES
TOLERANCES:
FRACTIONAL $\pm 1/16$ "
ANGULAR: ± 5 DEG.
TWO PLACE DECIMAL ± 0.03
THREE PLACE DECIMAL ± 0.015

EST WGT
12.3 lbs.
MATERIAL
304 Stainless Steel
FINISH
Natural

Rectangular Wire Mesh Basket:
18Lx18Wx6H, 304 SS, 5/16 Rod Frame,
No Handles, Mesh: 8 x .047

SIZE **B** DWG. NO.
TMT-180180060-N08S

PROPRIETARY AND CONFIDENTIAL
THE INFORMATION CONTAINED IN THIS
DRAWING IS THE SOLE PROPERTY OF
THREE M TOOL. ANY REPRODUCTION IN
PART OR AS A WHOLE WITHOUT THE
WRITTEN PERMISSION OF THREE M TOOL
IS PROHIBITED.

DO NOT SCALE DRAWING

SCALE: 1:6

SHEET 1 OF 1

8 7 6 5 4 3 2 1